

Floor Drain Grate Assembly

PRODUCT CODES:



Heelgrate®	Standard	Safe-Cell®
302181X	302455X	303070X
302182X	302783X	303070XN
302185X	302806X	303075X
302440X	303200X	303077X
302445X	303172X	303077XN
302505X	303176X	303079X
302515X	303392	303079XN
302640X	303400	
302645X	302323X	
302650X	302356HX	
302655X	302729X	
303185X	302752X	
303185XP	302756X	
302595X	302778X	
302450X	303164X	
302600X		
302605X		
302183X		
302195X		
302199X		
302205X		
303149X		



SPECIFICATIONS

Heelgrate® Drains (Threaded BSP Type, Slip-in Type)

- Investment cast stainless steel construction
- Stainless steel lock down Allen key screws
- Machine/finished surface
- Heelgrate® floor drain grates have 5mm gaps between bars to prevent possible accidental injury to pedestrians caused by high-heel shoes penetrating grates
- Spigot fits inside PVC/HDPE/CU pipe on Slip-in Type for fast and trouble free installation
- Threaded BSP Type for insertion to multi-purpose bodies
- Suitable for concourse paving, tile and vinyl floor applications

Standard Drains (Threaded BSP Type, Slip-in Type)

- Investment cast stainless steel construction
- Stainless steel lock down Allen key screws and hinge pins (for square-shaped grates)
- Machine/finished surface
- Spigot fits inside PVC/HDPE/CU pipe on Slip-in Type for fast and trouble free installation
- Threaded BSP Type for insertion to multi-purpose bodies
- Ideal for all commercial situations, car parks, shopping centres and decks

Safe-Cell® (Threaded BSP Type)

- Investment cast stainless steel construction
- Vandal resistant screws
- Unique dual ring maximises drainage of water supply
- Threaded BSP Type for insertion to multi-purpose bodies
- Safe-Cell® crocodile roll resistant (CRR) floor drain is designed for prisons, mental health facilities, custodial facilities and holding cells to reduce risk of self-harm, suicide and hiding of contraband

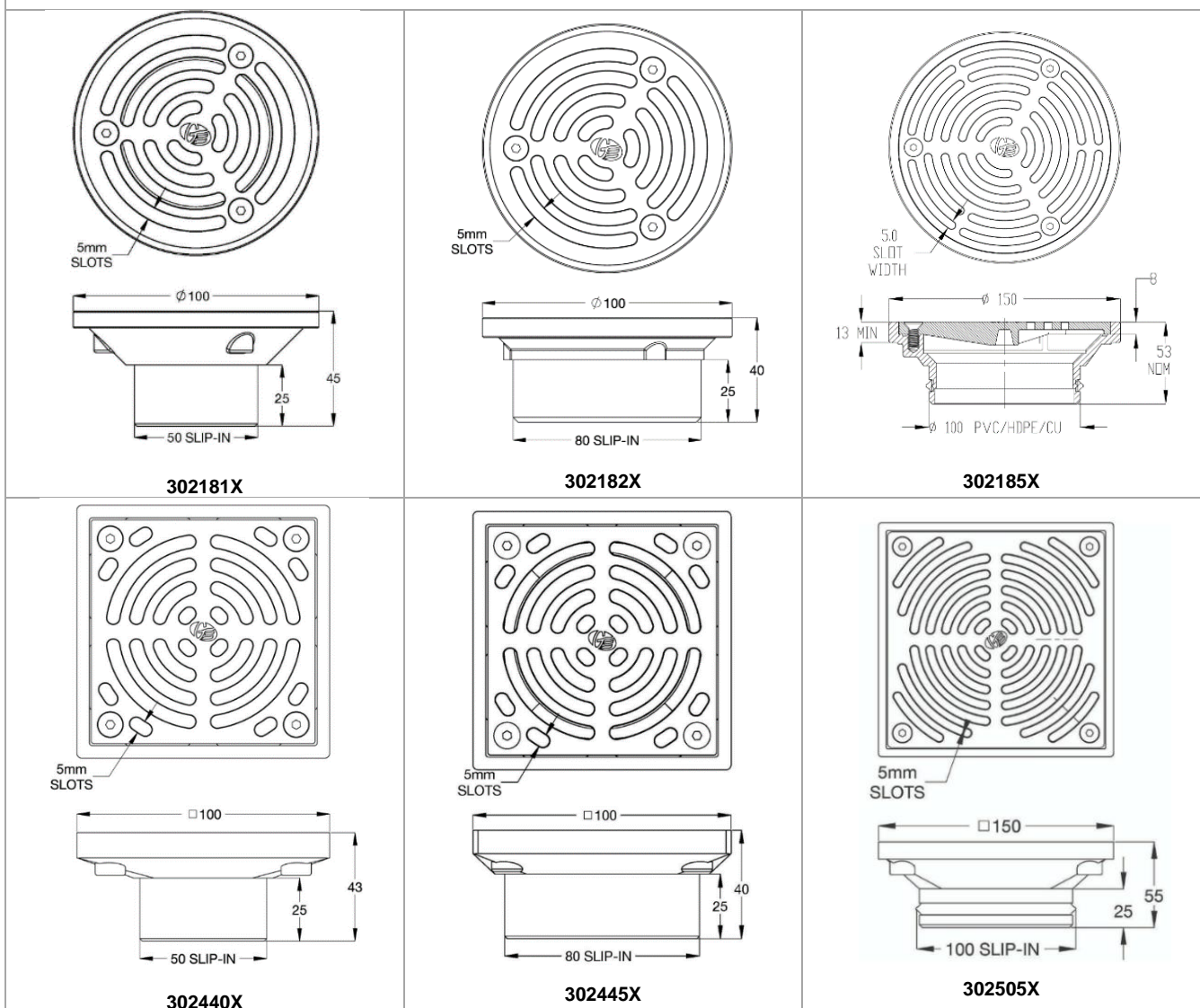
TECHNICAL DATA

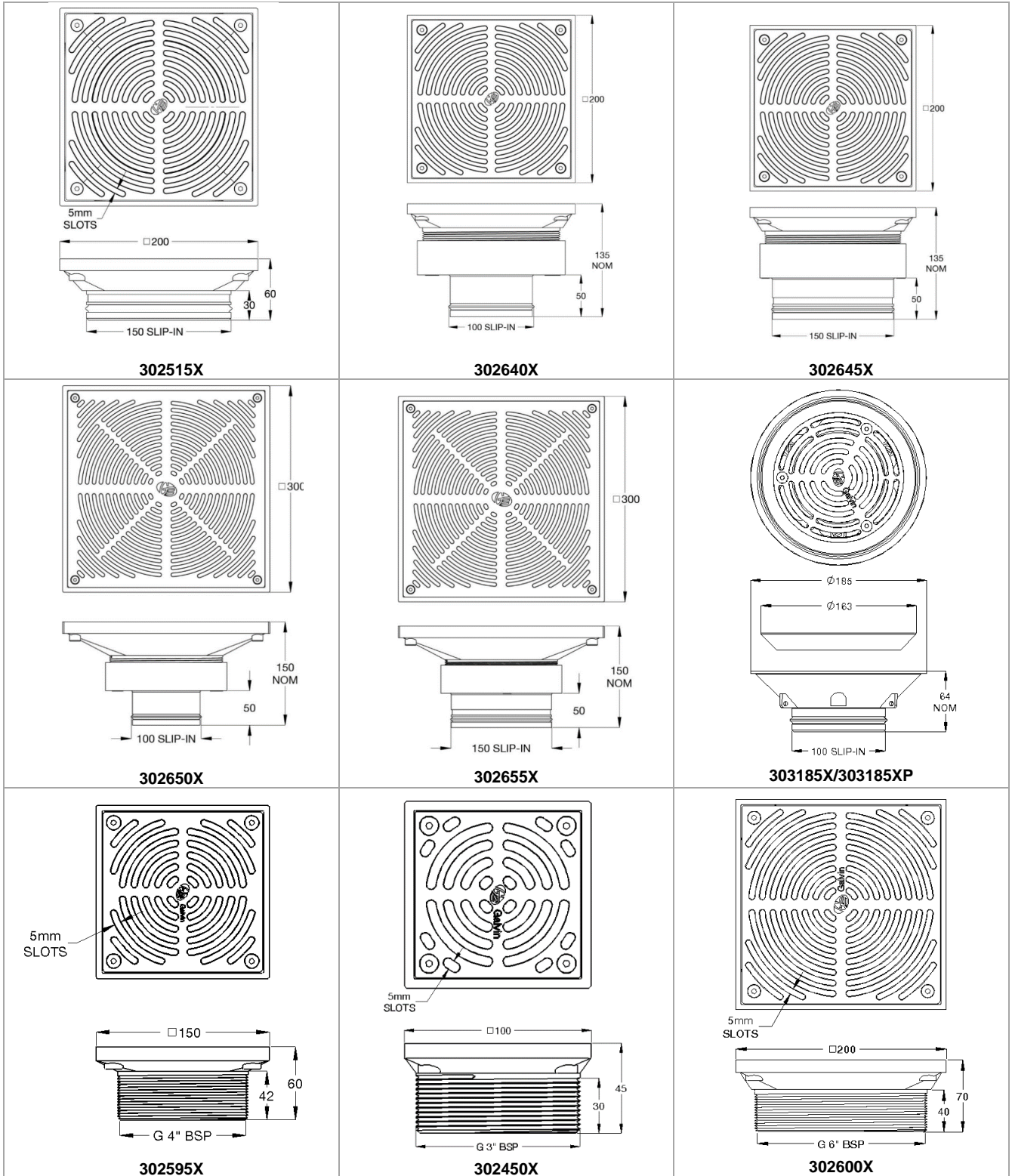
Grate Shape	Heelgrate®	Round/Square
	Standard	Round/Square
	Safe-Cell®	Round
Outlet	Threaded BSP	G 80/100/150 BSP
	Slip-in	Ø50/Ø80/Ø100/Ø150 PVC
Material	Grate	Stainless Steel
	Body	Stainless Steel/Chrome Plated Brass

NOTE: Galvin Specialised continually strive to improve their products. Specifications may change without notice.

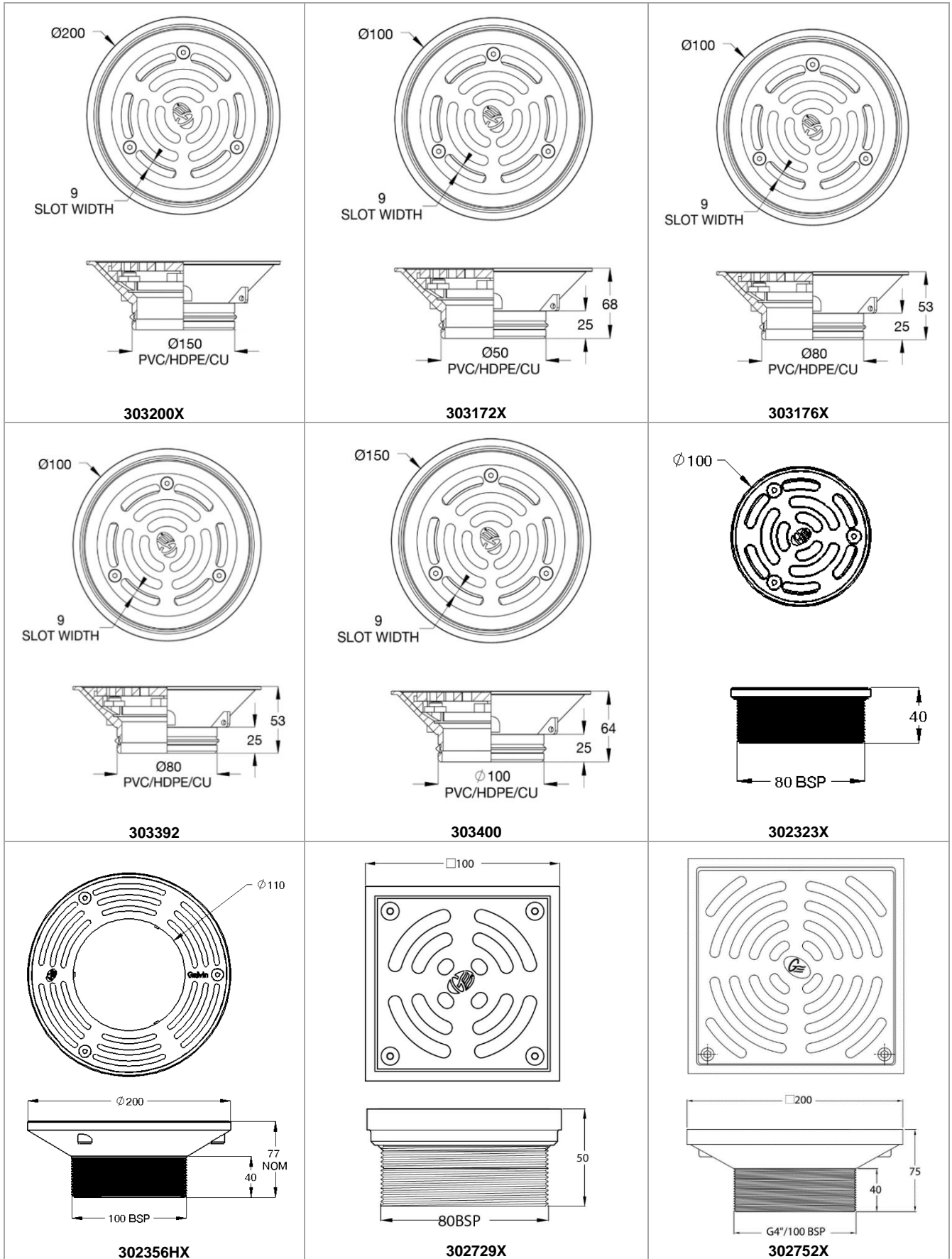
PRE-INSTALLATION - DIMENSIONS

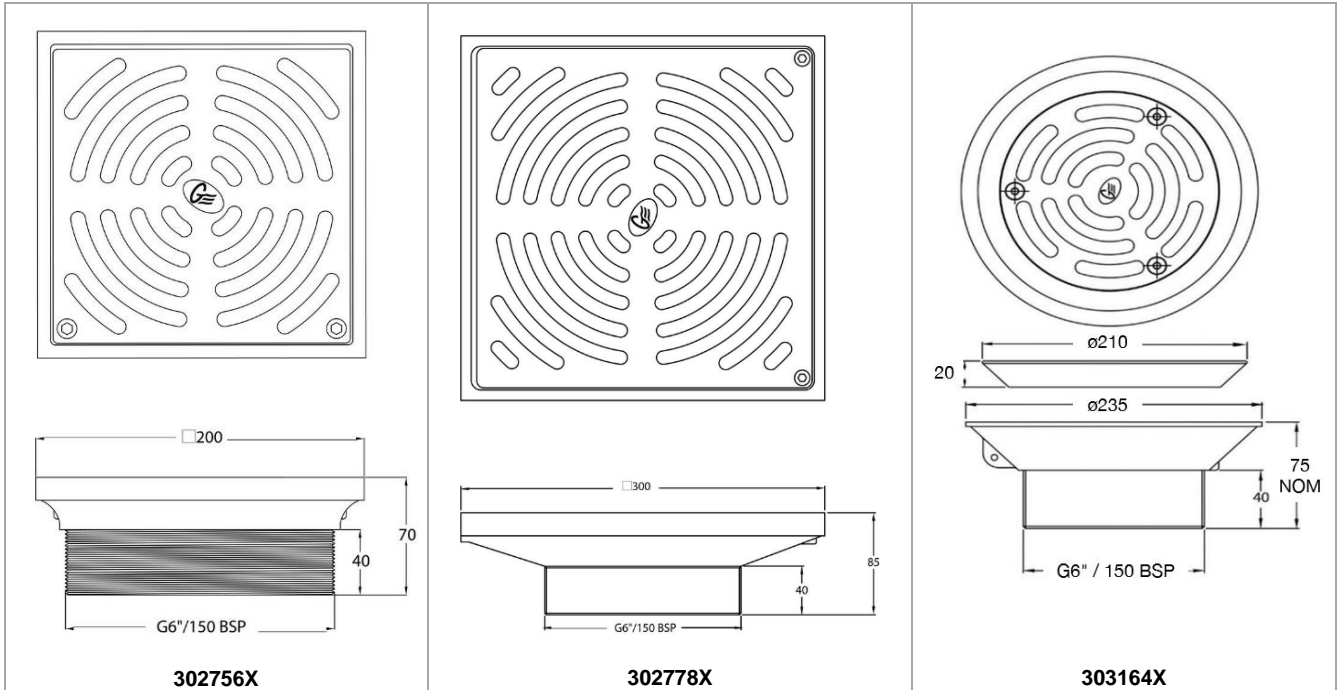
Heelgrate® Drains



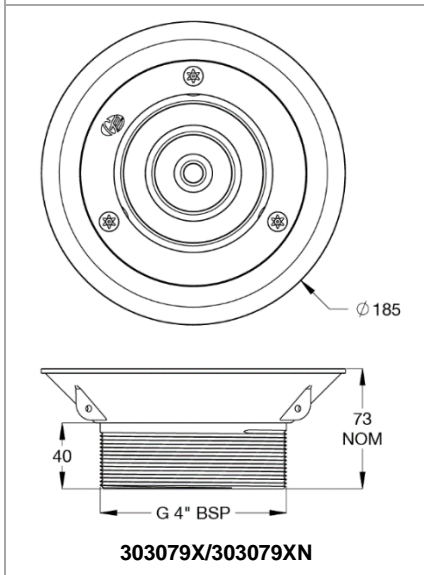
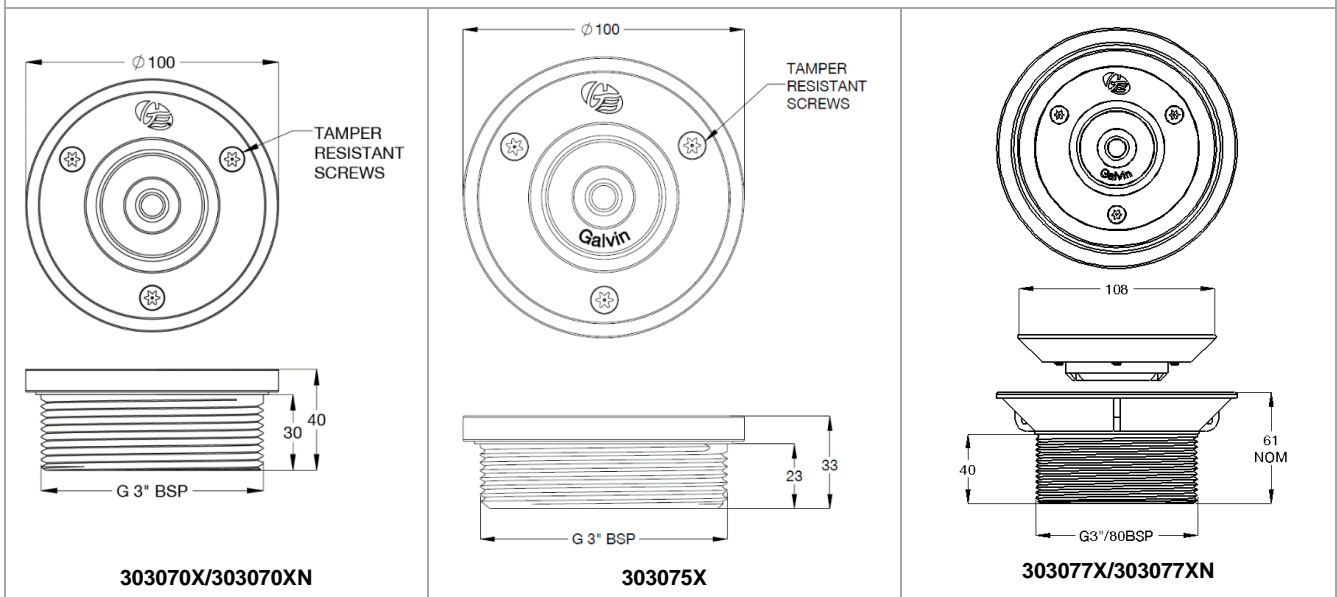


<p>5mm SLOTS</p> <p>□ 300</p> <p>90</p> <p>40</p> <p>G 6" BSP</p> <p>302605X</p>	<p>5mm SLOTS</p> <p>Ø 100</p> <p>38</p> <p>30</p> <p>G 3" BSP</p> <p>302183X</p>	<p>5mm SLOTS</p> <p>Ø 150</p> <p>61</p> <p>40</p> <p>G 4" BSP</p> <p>302195X</p>
<p>5mm SLOTS</p> <p>Ø 200</p> <p>63</p> <p>40</p> <p>G 6" BSP</p> <p>302199X</p>	<p>5mm SLOTS</p> <p>Ø 300</p> <p>84</p> <p>40</p> <p>G 6" BSP</p> <p>302205X</p>	<p>20</p> <p>Ø 165</p> <p>Ø 185</p> <p>73 NOM</p> <p>40</p> <p>G 4" / 100 BSP</p> <p>303149X</p>
<p>Standard Drains</p>		
<p>57 NOM</p> <p>30</p> <p>14 MIN</p> <p>Ø 200</p> <p>150 SLIP-IN</p> <p>302455X</p>	<p>□ 100</p> <p>50 NOM</p> <p>25</p> <p>50 SLIP-IN</p> <p>302783X</p>	<p>24 MIN</p> <p>30</p> <p>150 SLIP-IN</p> <p>19 MIN</p> <p>74</p> <p>□ 300</p> <p>302806X</p>

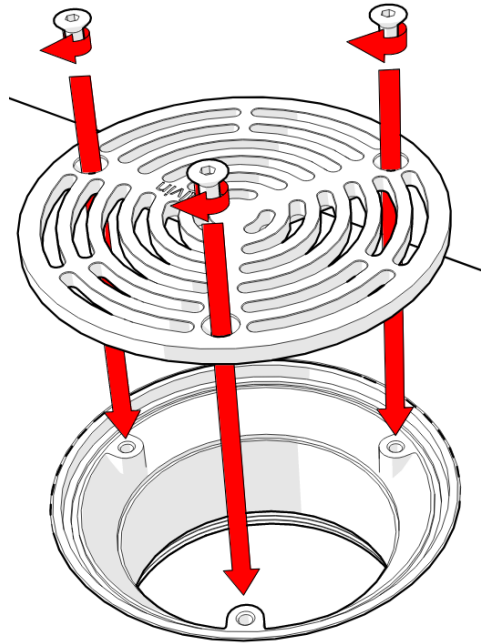
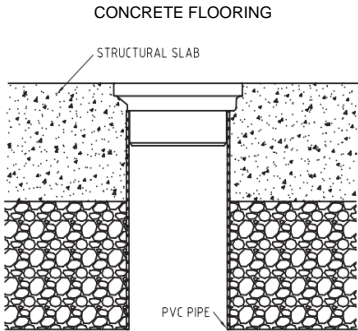
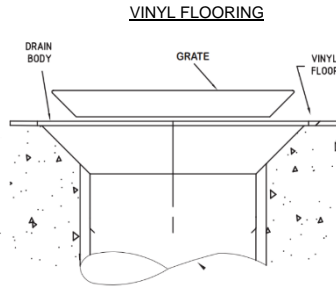
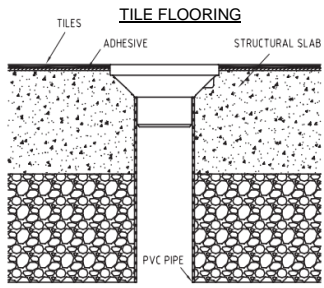




Safe-Cell® Drains



TYPICAL INSTALLATION (SLIP-IN TYPE)

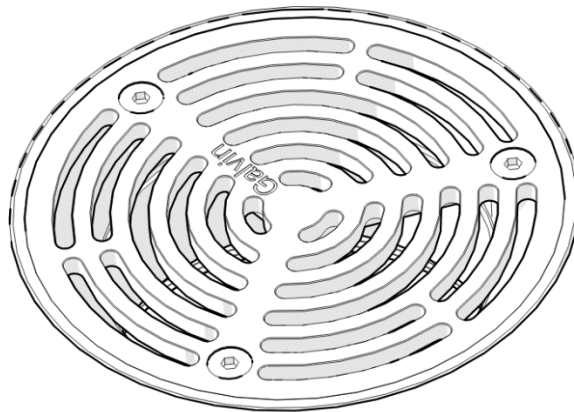


1. Insert Drain Body

- Insert drain body in the prepared hole connecting it to the PVC/HDPE/CU pipe
- Apply necessary flooring procedures as required

2. Secure Grate

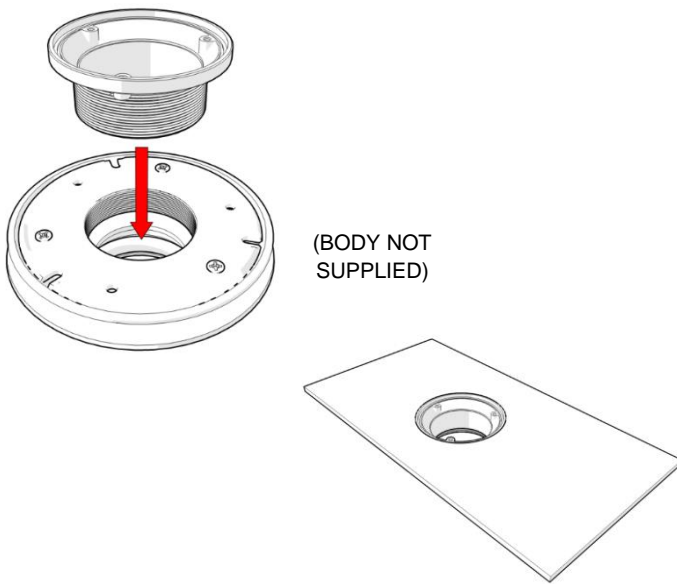
- Secure grating as shown



3. Check Operation

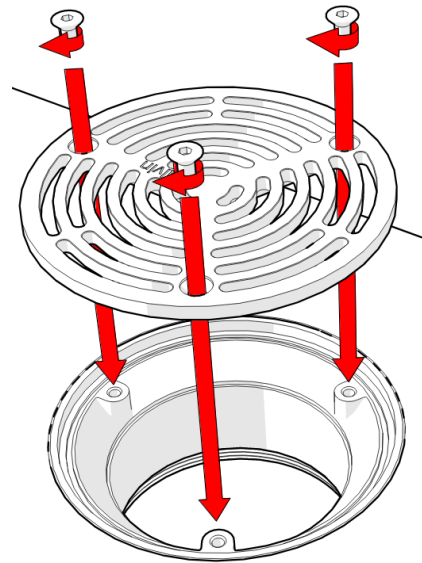
- Once fully assembled, check if grate provides adequate drainage.

TYPICAL INSTALLATION (THREADED BSP)



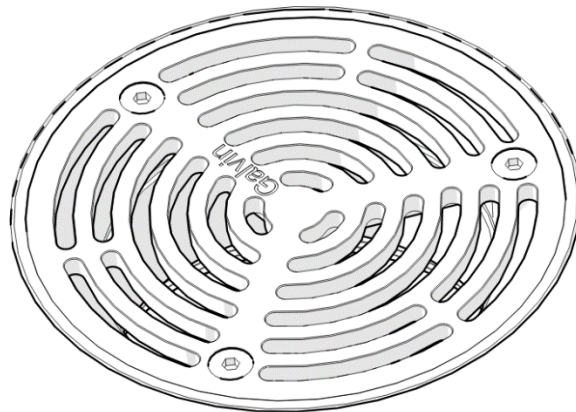
1. Insert Drain Body

- Insert threaded drain body to the multi-purpose body (not supplied)
- Apply necessary flooring procedures as required



2. Secure Grate

- Secure grating as shown



3. Check Operation

- Once fully assembled, check if grate provides adequate drainage.

MAINTENANCE AND CLEANING

Galvin Specialised products should be cleaned with a soft damp cloth using only mild liquid detergent or soap and water. Do not use cleaning agents containing a corrosive acid, scouring agent or solvents. Do not use cream cleaners, as they are abrasive. Use of unsuitable cleaning agents may damage the surface. Any damage caused in this way will not be covered by warranty.

Regular maintenance should be carried out in accordance with installation and troubleshooting guides provided with the product, the relevant Australian Standards, local authorities and state codes.

Tea staining is an installation and maintenance issue. To reduce the risk of tea staining, products should be regularly cleaned. In certain environments corrosion reducers/inhibitors may need to be regularly applied, and consideration should be given to the use of electropolishing or other surface coatings.

Note: *It is recommended higher grades of stainless steel be specified for corrosive or coastal areas*

TROUBLESHOOTING

PROBLEM	CAUSE	RECTIFICATION
Water is not flowing	<ul style="list-style-type: none"> - Body contains debris or damage - Grate contains debris or damage 	<ul style="list-style-type: none"> - Body must be clean and free from debris. - Grate must be clean and free from debris.

WARRANTY

The warranty set forth herein is given expressly and is the only warranty given by the Galvin Engineering Pty Ltd. With respect to the product, Galvin Engineering Pty Ltd makes no other warranties, express or implied. Galvin Engineering Pty. Ltd. hereby specifically disclaims all other warranties, express or implied, including but not limited to the implied warranties of merchantability and fitness for a particular purpose.

Galvin Engineering Pty Ltd products are covered under our manufacturer’s warranty available for download from www.galvinengineering.com.au. Galvin Engineering products must be installed in accordance with the installation instructions and in accordance with AS3500, PCA, relevant Australian Standards and local authorities applicable to product being installed. Galvin Engineering Pty Ltd expressly warrants that the product is free from operational defects in workmanship and materials for the warranty period as shown on the schedule in the manufacturer’s warranty. During the warranty period, Galvin Engineering will replace or repair any defective products manufactured by Galvin Engineering without charge, so long as the terms of the Manufacturer’s warranty are complied with.

The remedy described in the first paragraph of this warranty shall constitute the sole and exclusive remedy for breach of warranty, and Galvin Engineering Pty Ltd shall not be responsible for any incidental, special or consequential damages, including without limitation, lost profits or the cost of repairing or replacing other property which is damaged if this product does not work properly, other costs resulting from labour charges, delays, vandalism, negligence, fouling caused by foreign material, damage from adverse water conditions, chemical, electrical or any other circumstances over which Galvin Engineering has no control. This warranty shall be invalidated by any abuse, misuse, misapplication, improper installation or improper maintenance or alteration of the product.